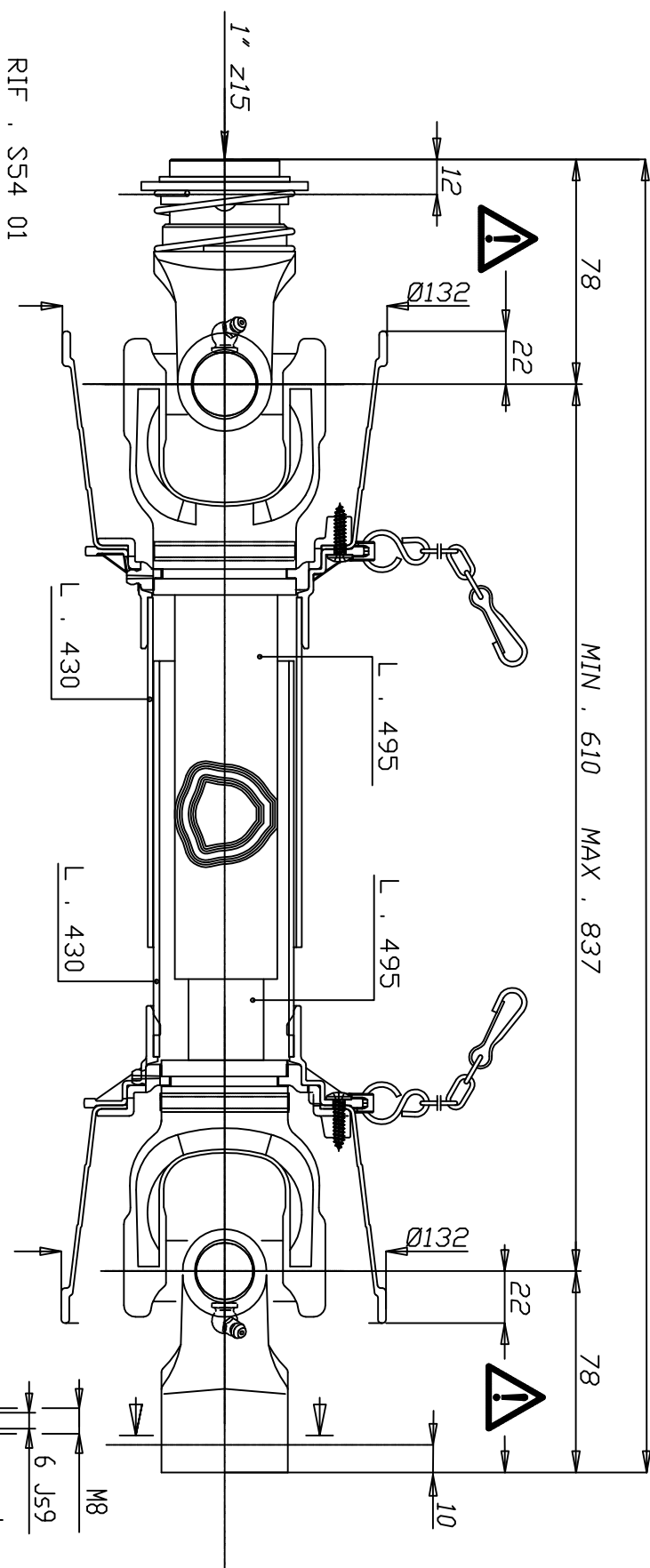


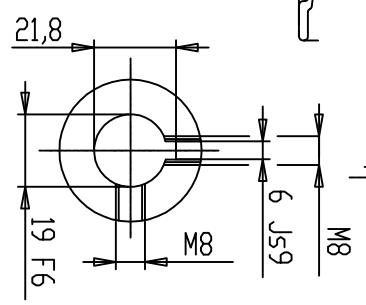
MIN . 766 MAX . 993

MIN . 610 MAX . 837



RIF . SS4 01

WARNING!
 SECTIONS OF THE ASSEMBLY MARKED
 AND MUST BE SHIELDED BY AN INTERACTIVE GUARDING SYSTEM
 BINACCHI S.p.A DECLINES RESPONSIBILITY IF PROPER GUARD
 ARE NOT PROVIDED OR MAINTAINED.



DATA
 12/06/14

VISTO

TIPO-TYPE TYP	CLIENTE-CUSTOMER-CLIENT-KUNDE	DANI-TECH A/S -DK- per GMR	
B1	RIF.CLIENTE-CUSTOMER REF.-REF.CLIENT-BEZUG KUNDE	64-061-184	TIPO DI MACCHINA-TYPE OF IMPLEMENT-TYPE DE MACHINE-MASCHINENTYPE
	MODIFICHE-MODIFICATIONS-ANDERUNGEN-MODIFICACIONES		
	NOTE :		
POTENZA : 16 Cv (540 g/min) COPPIA : 210 Nm (540 g/min)			CODICE C.E.D. BIN06ICES54L19

B1

